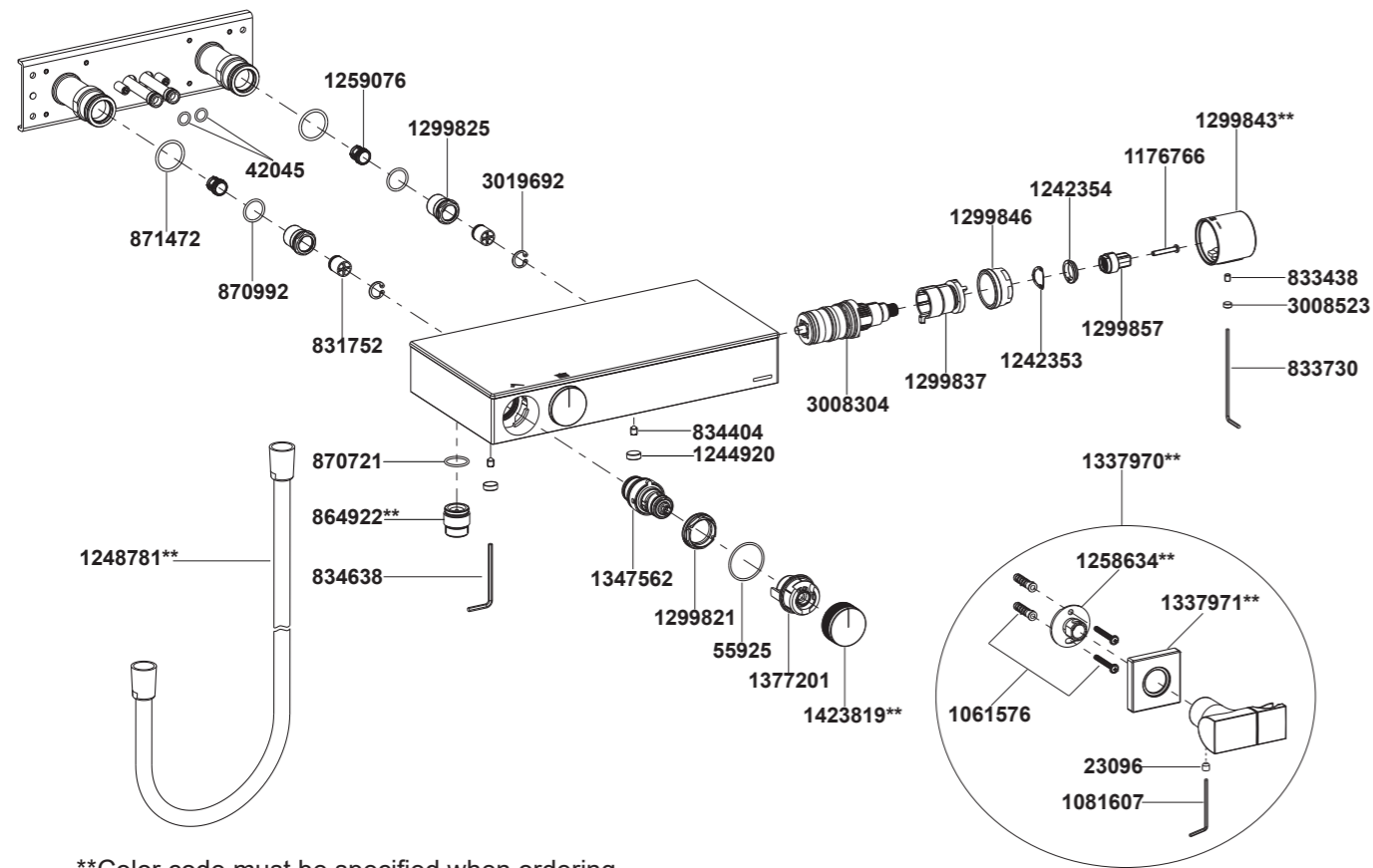
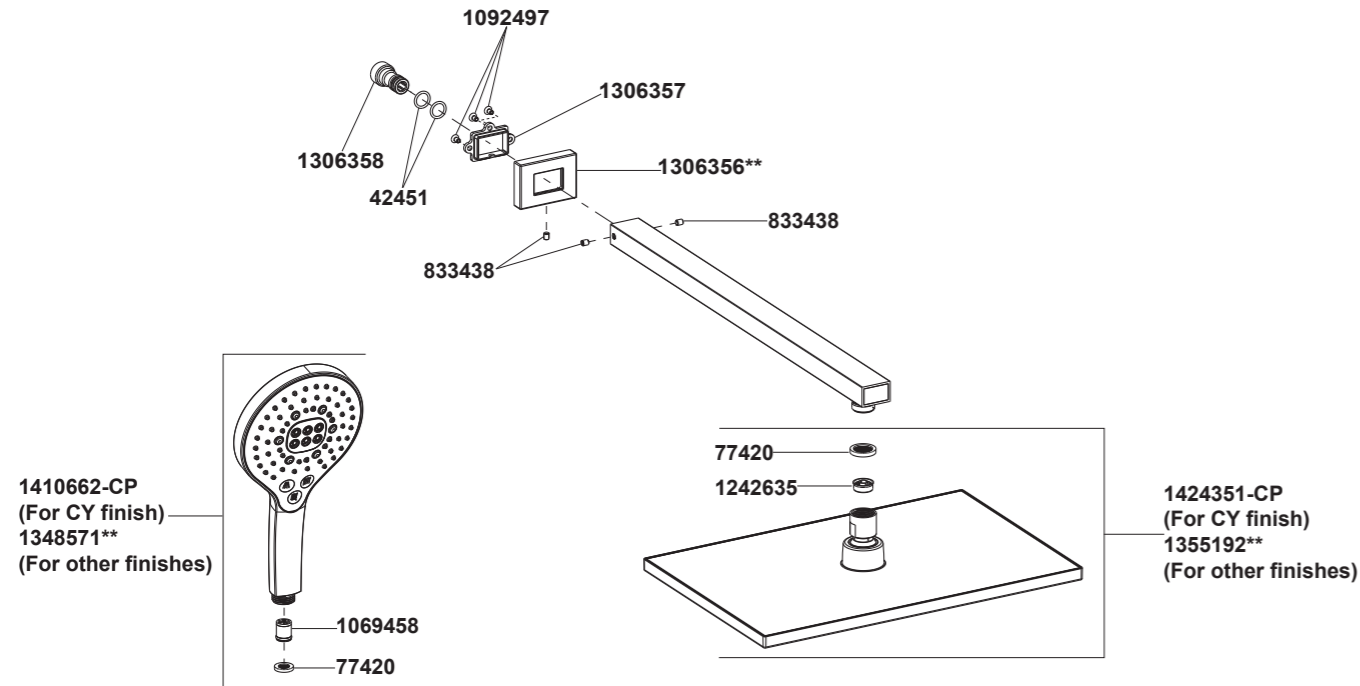


25716T-9 Recessed Thermostatic Dual Shower Faucet-Single Function Showerhead



**Color code must be specified when ordering.

25716T-9 Recessed Thermostatic Dual Shower Faucet-Single Function Showerhead

BEFORE YOU BEGIN

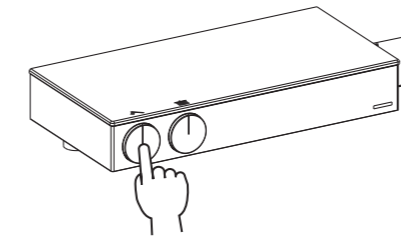
All information is based on the latest product information available at the time of publication. Kohler Co. reserves the right to make changes in product characteristics, packaging, or availability at any time without notice.

Please leave these instructions for the consumer. They contain important information.

OPERATION CONDITION

1. Minimum supply pressures: 0.1MPa(1bar).
2. Recommended supply static pressures: 0.3MPa(3bar) on hot and cold water.
3. Supply pressure greater than 0.5MPa(5bar): install a pressure reducer.
4. Hot water temperatures, minimum: 50°C, maximum: 80°C.
5. Recommended hot water temperature: 65°C(energy-saving).
6. Setting range, approximately: 20°C to 49°C.
7. Safety stop at: 37°C.
8. Maximum mixed water temperature: 49°C.
9. The highest environment temperature for handshower & showerhead is 60°C. Please keep handshower, showerhead and shower arm away from heater, or it may become damaged and cause injury to the user.

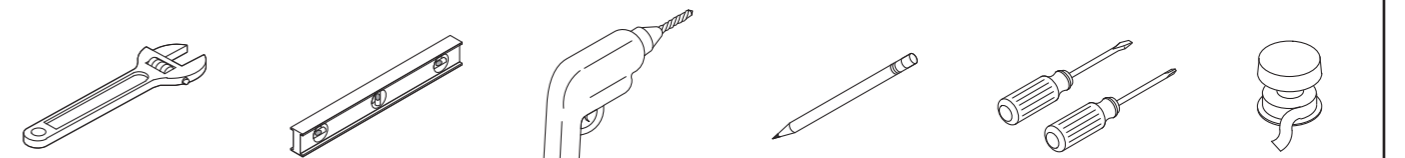
OPERATION INSTRUCTIONS



The temperature is set by slowly turning the temperature handle(right-hand handle). For safety reasons, there is a stop that limits temperature to 37°C. To get a higher temperature, push the button(on right-handle) and continue turning the temperature handle counter-clockwise.

Water flow and dispense is set by switch buttons. Press any switch button on the faucet body, the water will run from corresponding outlet. Rotate the switch buttons counter-clockwise to reduce flow.

TOOLS AND MATERIALS (USER SUPPLIED)



Adjustable Wrench

Level

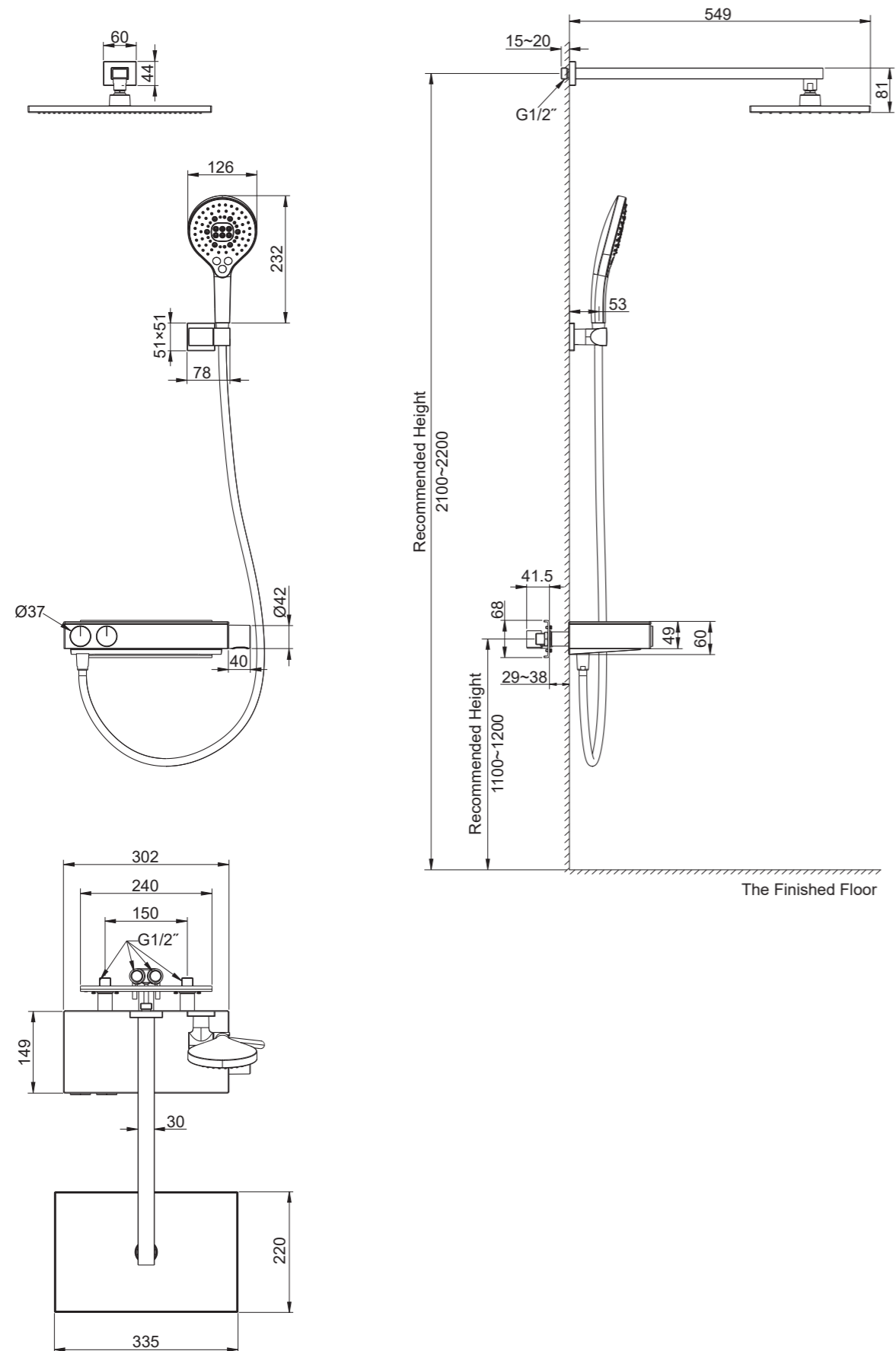
Drill

Pencil

Screwdrivers

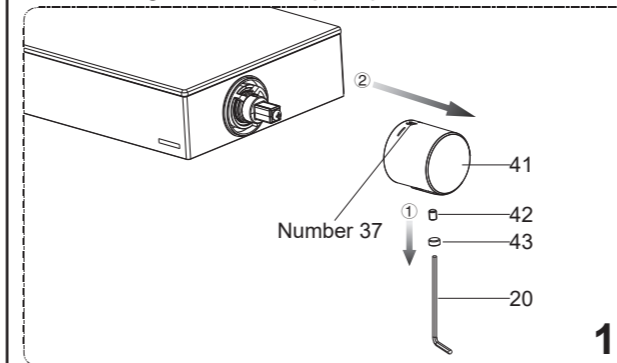
Sealant Tape

ROUGH-IN DIMENSIONS

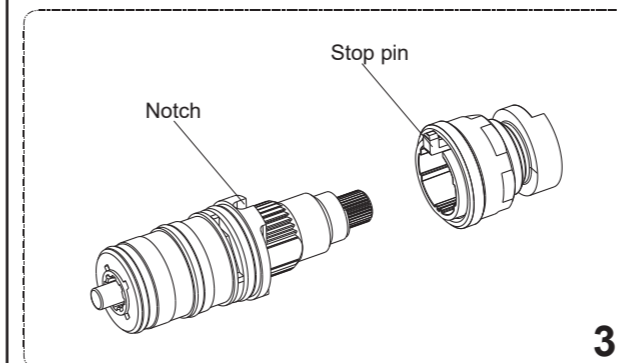


Clear the Thermostatic Cartridge

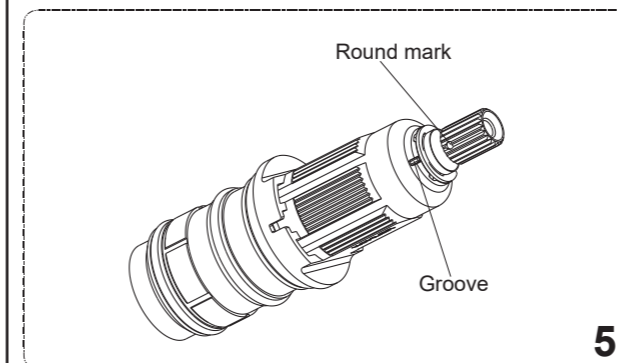
Very hard water can obstruct the filters on the thermostatic cartridge and reduce the water flow. Please clean the cartridge as follows: Shut off the water supply of the faucet and turn on the water flow valve, then proceed to remove the cartridge. The cartridge is sensitive part, please be careful.



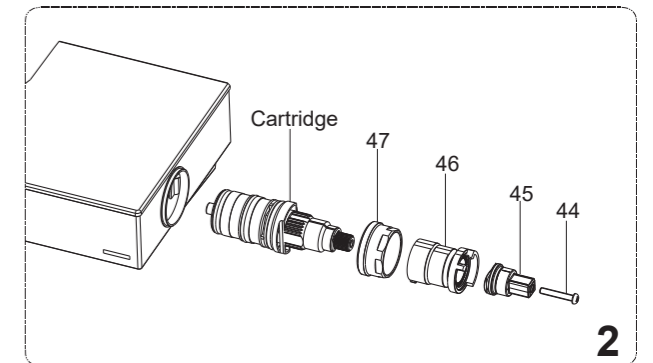
1. Before your action, make sure the number 37 on the temperature handle is upward vertically (It could not be turned counter-clockwise if not pushing the button). Remove the temperature handle (41).



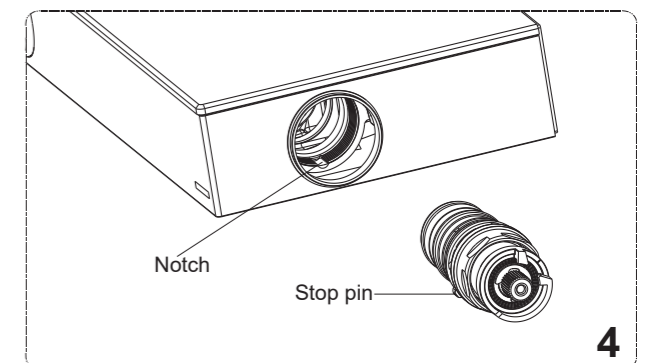
3. After cleaning, install the "stop assembly" back on the cartridge, adjust the stop pin into the notch.



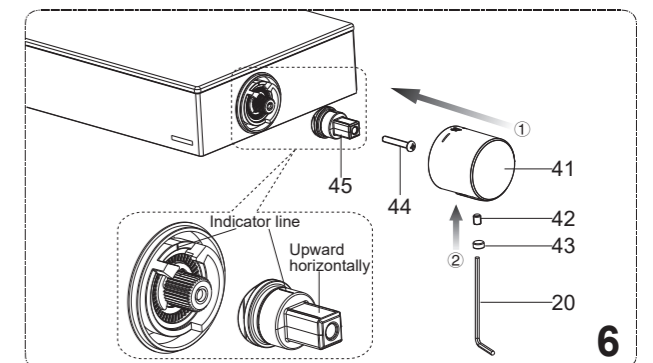
5. **NOTE:** Do not turn the cartridge when reinstalling it. If you turned it accidentally, you should adjust it and be sure that the round mark is correctly in line with the groove, or readjust as per the steps of verification and setting.



2. Remove the screw (44) and adapter spline (45), and then unscrew the nut (47) and stopper (46). Remove the cartridge cautiously. Clean the thermostatic cartridge by soaking it in warm vinegar.



4. Install the assembly cartridge and stop in the body, adjust the stop pin into the notch.

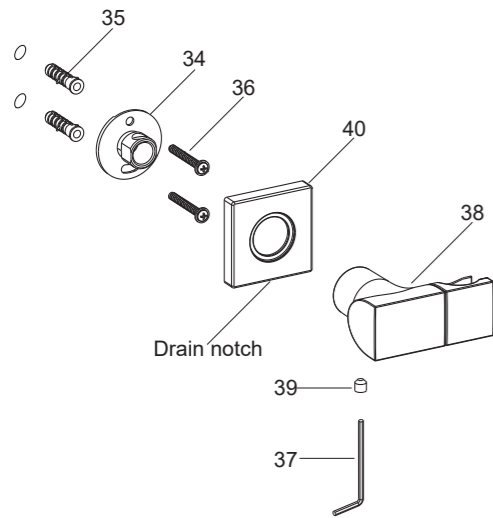


6. Install the adapter spline (without turning the spindle). Ensure the indicator line on the adapter spline align with the indicator line on the stopper. Tighten the screw (44) with a screwdriver. Install the temperature handle (41). Ensure the number 37 on temperature handle is upward vertically (After assembly, it could not be turned counter-clockwise if not pushing the button). Tighten the screw (42) with 2.5mm hex wrench (20). Insert the plug (43).

CLEANING INSTRUCTIONS

All Finishes: Clean the finish with mild soap and warm water. Wipe entire surface completely dry with clean soft cloth. Many cleaners may contain chemicals, such as ammonia, chlorine, toilet cleaner etc. which could adversely affect the finish and are not recommended for cleaning.

Do not use abrasive cleaners or solvents on Kohler faucets and fittings.



Install the Bracket

Determine a suitable location on the finished wall to install bracket. Ensure it should avoid buried cables and pipes in the wall.

Mark the mounting holes of the base(34) on the wall according to the dimension. Drill two holes in the finished wall, the holes should match the anchors(35) and be vertical. Install the anchors. Tighten the screws(36) to fix the base on the finished wall. **NOTE:** The direction of the base is shown in the figure.

Loosen the screw(39) in the bracket(38) bottom with hex wrench (37) until the bracket can be installed into the base. Slide the escutcheon(40) onto the bracket. Apply a ring of plumbers putty or other sealants around the underside of the escutcheon. Move the bracket onto the base until it is against the finished wall and confirm the drain notch and screw hole are pointed down. Tighten the screw(39) with hex wrench to fix the bracket and escutcheon on the finished wall. Remove any excess putty or sealant.

INSTALLATION CHECKOUT

Ensure that all connections are tight, the switch buttons are not turned on. Turn on the water supply. Run water through the valve. Check for leakage. Repair as needed.

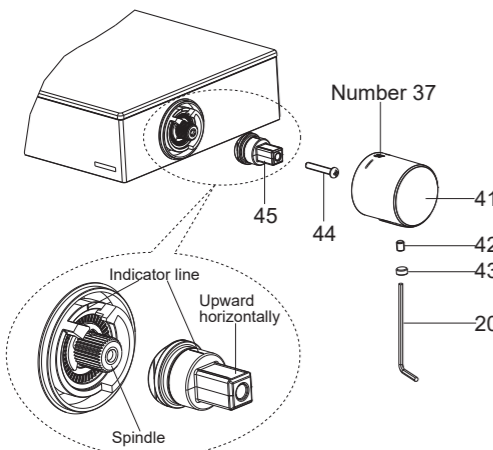
Press the buttons separately. Check whether all connections and water flow are well. Shut off the faucet.

Verification and Setting

Make sure that the water feeds of the faucet have reach the highest temperature by running the water sufficiently. When the number 37 on the temperature handle(41) is upward vertically, the temperature of the water should be within a range of 36°C and 38°C, as measured by a thermometer. If not, the installer can adjust the setting. Proceed with the setting as follows:

Remove the plug(43). Take out the screw(42) with 2.5mm hex wrench(20) to uninstall the temperature handle. Remove the screw(44) with a screwdriver. Remove the adapter spline(45).

Under the normal condition of water flow, slowly turn the temperature selector(Always in the same direction) from the cold water position until water temperature reaches 37°C. If the temperature goes over 37°C, go back to the "cold" setting and reset it. When the temperature is stable, do not turn the cartridge spindle. Install the adapter spline. Ensure the indicator line on the adapter spline align with the indicator line on the stopper. Tighten the screw(44) with a screwdriver. Install the temperature handle. Ensure the number 37 on the temperature handle is upward vertically(After assembly, it could not be turned counter-clockwise if not pushing the button). Tighten the screw(42) with 2.5mm hex wrench. Insert the plug(43).

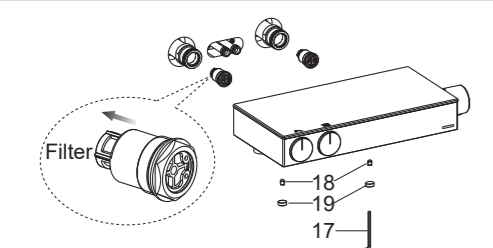


CARE AND MAINTENANCE

Clear the Filter

The filters can protect the faucet, but it may get obstructed and reduce water flow after a long time of use. If this happens, turn off the water supply.

Take out the plugs(19). Unscrew two screws(18) with 3mm hex wrench(17) to uninstall faucet. Take out the filters by hand. Clean the filters by soaking them in warm vinegar. Reinstall in turn.



INSTALLATION

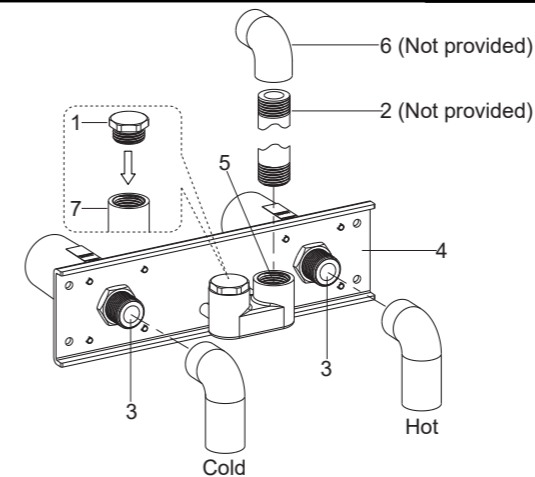


Fig. 1

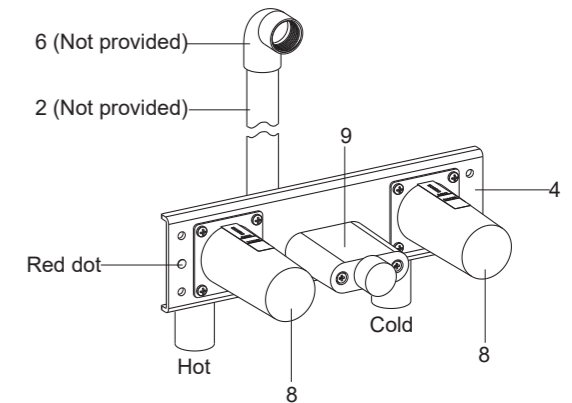


Fig. 2

Connect the Pipes

As Fig. 1 shown, apply enough tape or suitable sealant on threads of the plug(1), showerhead outlet tube(2, not provided) and two connections(3). Install the G1/2" hot and cold supply pipes into two connections, and make sure the hot supply should be installed to the side with red dot of the inlet assembly(4). Connect one end of the showerhead outlet tube with the connector(5), and the other end with G1/2" female ell(6, not provided). Tighten the plug(1) onto the connector(5).

As Fig. 2 shown, ensure the showerhead outlet tube(2) is connected correctly with G1/2" female ell(6).

Install the Inlet Assembly

During installation, please do not remove the protectors(8, 9) until instructed to do.

Select a location in the vertical wall to install the inlet assembly(4) according to rough-in dimensions. As Fig. 2 shown, make sure the protectors(8, 9) face front and the inlet assembly with red dot is on the left side. **NOTE:** Make sure the centerline of the inlet assembly is vertical to the wall, the upper surfaces of the protectors is horizontal.

Select a suitable height above the inlet assembly to install the G1/2" female ell(6, not provided) according to rough-in dimensions. **NOTE:** The G1/2" female ell should be not beyond, but below the finished wall less than 5mm, and be vertical to the finished wall as well. Make sure all connections are tightened.

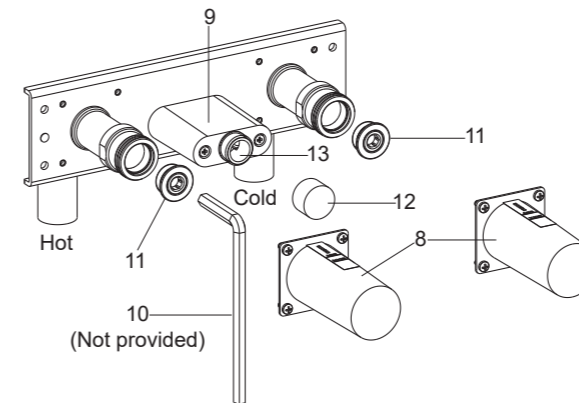


Fig. 3

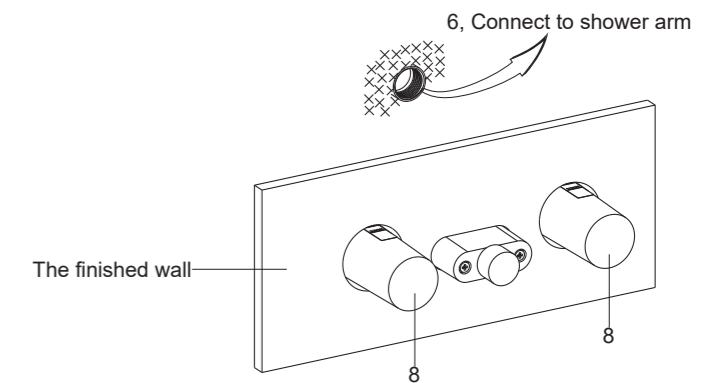


Fig. 4

Water Pressure Test

As Fig. 3 shown, uninstall the protectors(8) with screwdriver(not provided). Remove the plugs(11) with 8mm hex wrench (10, not provided). Flush water supply pipes for about one minute to remove any debris. Reinstall the plugs. Remove the protector cap(12) from the protector(9), and connect the connection(13) with one waterpipe(not provided). Insert one G1/2" plug(not provided) into the G1/2" female ell(6).

Apply water pressure(8bar) test on the product. Check for leaks. Turn off the water supplies.

Remove the G1/2" plug from G1/2" female ell(6). Remove the waterpipe from the connection(13). Reinstall the protector cap(12) and protectors(8).

As Fig. 4 shown, ensure the out surface of the finished wall is between the MAX and MIN marks on the protectors(8).

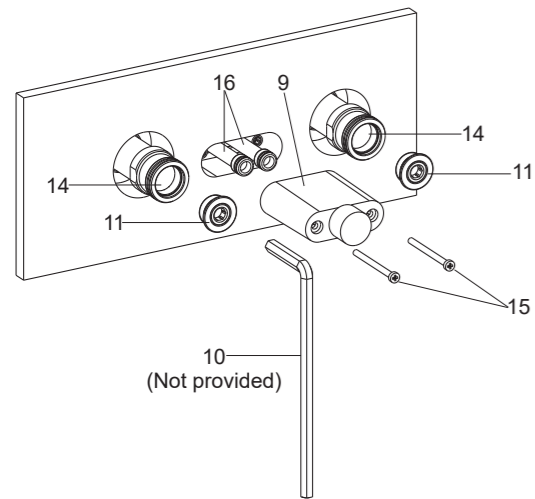


Fig. 5

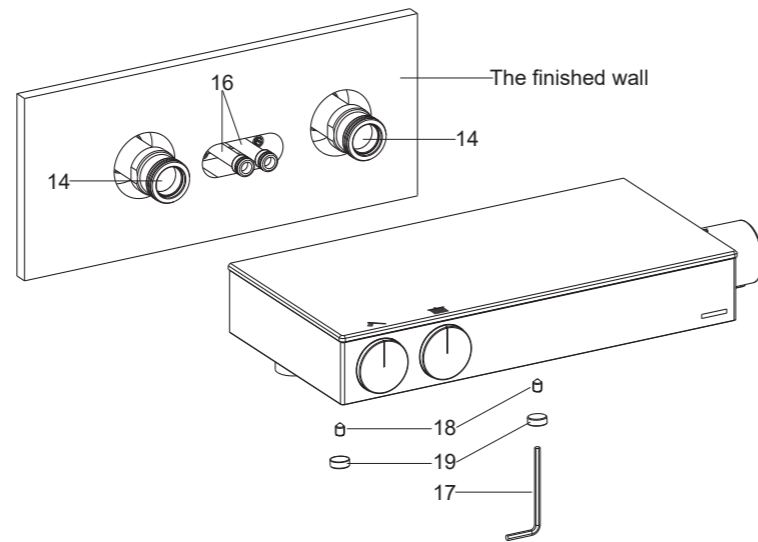


Fig. 6

Install the Faucet Body

Cut off the protectors(8) beyond the wall after the wall is finished. As **Fig. 5** shown, uninstall and discard the plugs(11) from the connections(14) with 8mm hex wrench(10, not provided). Remove the screws(15) from the protector(9) with screwdriver(not provided) and pull it out. Check whether the O-rings on the connections(14) and showerhead tubes(16) are intact.

As **Fig. 6** shown, adjust two screws(18) with 3mm hex wrench(17). Install the faucet body to the connections(14) and showerhead tubes(16) until it is against the finished wall. Tighten two screws(18) with 3mm hex wrench. Press the plugs(19) into the faucet.

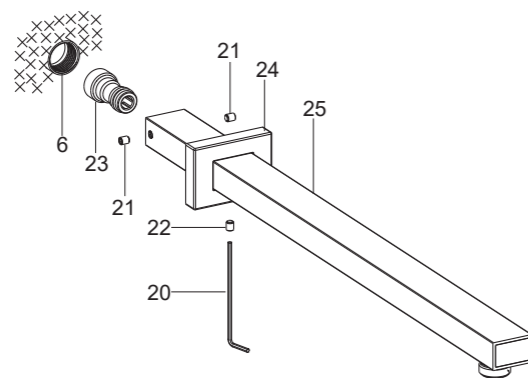


Fig. 7

Install the Shower Arm

Loosen the screws(21, 22) with 2.5mm hex wrench(20), and remove the connector(23). Apply enough tape or suitable sealant on the G1/2" threads of the connector. Tighten the connector to the G1/2" female ell(6) with 8mm hex wrench(10, not provided). Make sure the connector extends 21~26mm beyond the finished wall.

Install the shower arm(25) with the escutcheon(24) onto the connector(23) until it is against the finished wall, and keep the screw hole downwards. Tighten the screws(21) with 2.5mm hex wrench(20) to secure the shower arm.

Apply a ring of plumbers putty around the back surface of the escutcheon(24). Press the escutcheon until it is against the finished wall. Tighten the screw(22) with 2.5mm hex wrench(20) to secure the escutcheon. Remove any excess putty.

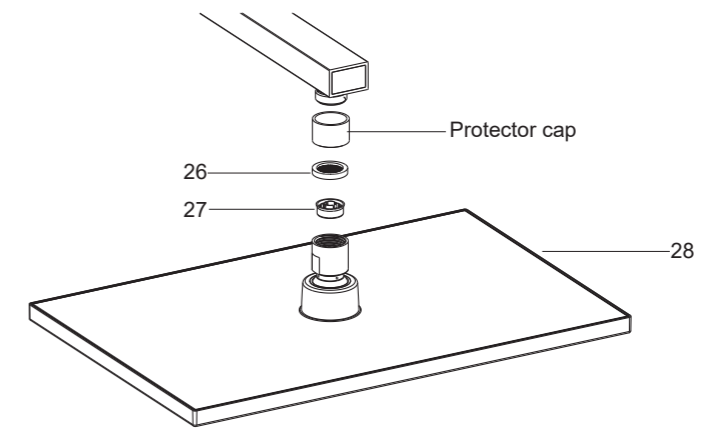


Fig. 8

Install the Showerhead

Take out the washer(26). Install the restrictor(27) into the showerhead(28) if needed. Reinstall the washer.

Remove the protector cap from the shower arm outlet. Tighten the showerhead onto the shower arm with strap wrench.

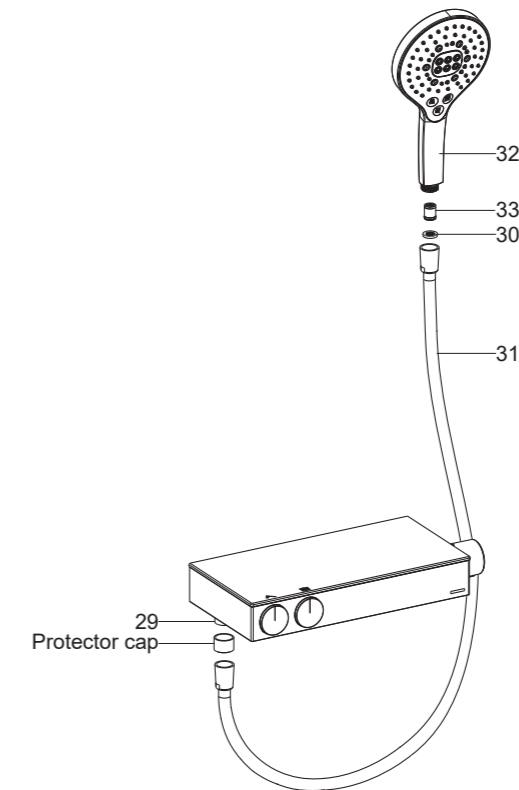


Fig. 9

Install the Handshower

Remove the protector cap from the connector(29).

Put the screen washer(30) into the shower hose(31). Connect the handshower(32) and connector(29) with shower hose. Tighten all the connectors. **NOTE:** Don't over tighten.

Install the check valve(33) into the handshower if needed.